

MP722D

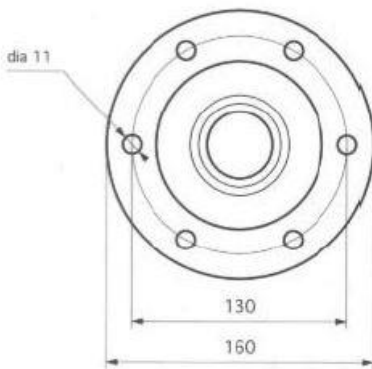
MF/HF Antennas

Mechanical Features

- **Antenna structure:** Epoxy fiberglass
- **Finishing:** Polyurethane paint
- **Color:** White RAL 9000 (standard)
Gray RAL 7001 (option)
- **Irradiation element material:** Brass
- **Ferrule material:** Chrome plated brass
- **Chrome plated:** 20 µm copper, 20 µm nickel, 5 µm chrome
- **Working temperature:** -35°C to +80°C
- **Max wind resistance:** 150 km/h

Electrical Features

- **Frequency:** 1,6 – 30 MHz transmission ATU
0,15 - 30 MHz with transformer
- **Polarization:** Vertical
- **Horizontal irradiation:** 360°
- **Connection:** TX with high insulation cable
RX with coax cable RG-58 or RG-213
- **Connector:** 8 mm bolt



Every MF/HF antenna is supplied including mounting.



Features

- **Fiberglass length:** 7,00 meter
- **Electrical length:** 7,00 meter
- **Max power:** 1000 W
- **Weight:** 7 kg
- **Sections:** 2
- **Bottom diameter:** 40 mm
- **Length bottom section:** 4,00 meter
- **Length top section:** 3,00 meter
- **Base torsion force:** 150 N
- **Package size:** 403 x 21 x 21 cm

MF/HF antenna mounting

Every MF/HF is supplied including mounting.

How the antenna supposed to be mounted, can be derived from the product number.

After the basic product number "MPxxx" the used letters stand for:

D = Deck mounting

M = Mast mounting

S = Side feed connections

