

DESCRIPTION

The B3JC1008 is a small and lightweight S-band, E-plane flange circulator with 7/8-inch EIA coaxial output at one port. It is designed for use in marine radars and provides isolation of the receiver protector from the transmitter.

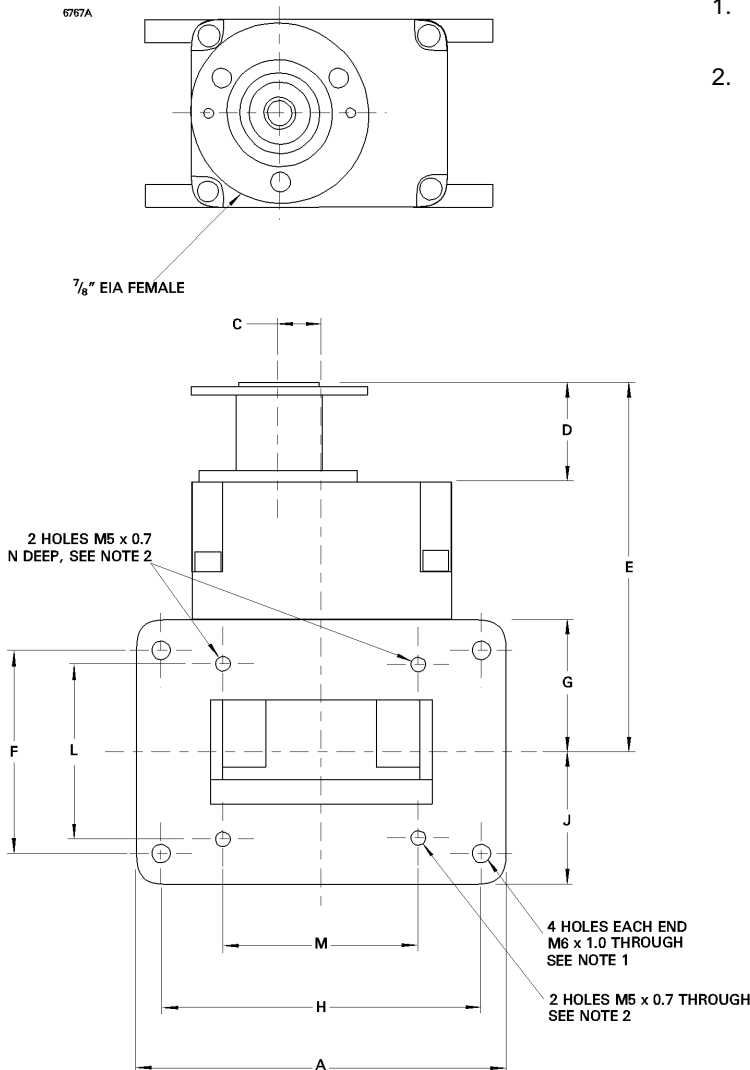
SPECIFICATION

Electrical

Frequency range..... 3030 to 3070 MHz
 Return loss ports 1 and 2 (see note 1)..... 20 dB min
 Insertion loss..... 0.3 dB max
 Isolation 20 dB min
 Power handling (see note 2) 30 kW peak,
 pulse length 1 ms, prf 1000 pps

OUTLINE

(All dimensions without limits are nominal)



Mechanical

Waveguide..... WG10
 72.14 x 34.04 mm
 Material Aluminium HE30

Environmental

Operating temperature range..... -25 to +80 °C

NOTES

1. Return loss specified over ambient temperature range 10 °C to 30 °C. Other ports terminated with VSWR 1.1:1 maximum.
2. Output port terminated with VSWR 2:1 maximum, isolated port terminated with any VSWR, including full short circuit, in any phase.

Outline Notes

1. Positional tolerance of holes 0.2 mm diameter with respect to waveguide dimensions.
2. M5 holes are located in Port 3 flange only.

Ref	Millimetres
A	120.0
B	60.0
C	14.0
D	35.0
E	120.0
F	65.08
G	43.0
H	103.18
J	42.0
K	25.5
L	57.2
M	63.5
N	10.0 min

Whilst e2v technologies has taken care to ensure the accuracy of the information contained herein it accepts no responsibility for the consequences of any use thereof and also reserves the right to change the specification of goods without notice. e2v technologies accepts no liability beyond the set out in its standard conditions of sale in respect of infringement of third party patents arising from the use of tubes or other devices in accordance with information contained herein.