

DESCRIPTION

The B3JC1007 is a small and lightweight S-band, E-plane flange circulator, designed for use in marine radars. It provides isolation of the receiver protector from the transmitter.

SPECIFICATION

Electrical

Frequency range..... 3030 to 3070 MHz
 Return loss (see note 1)..... 20 dB min
 Insertion loss..... 0.3 dB max
 Isolation 20 dB min
 Power handling (see note 2) 30 kW peak,
 pulse length 1 ms, prf 1000 pps

Mechanical

Waveguide..... WG10
 72.14 x 34.04 mm
 Material Aluminium HE30

Environmental

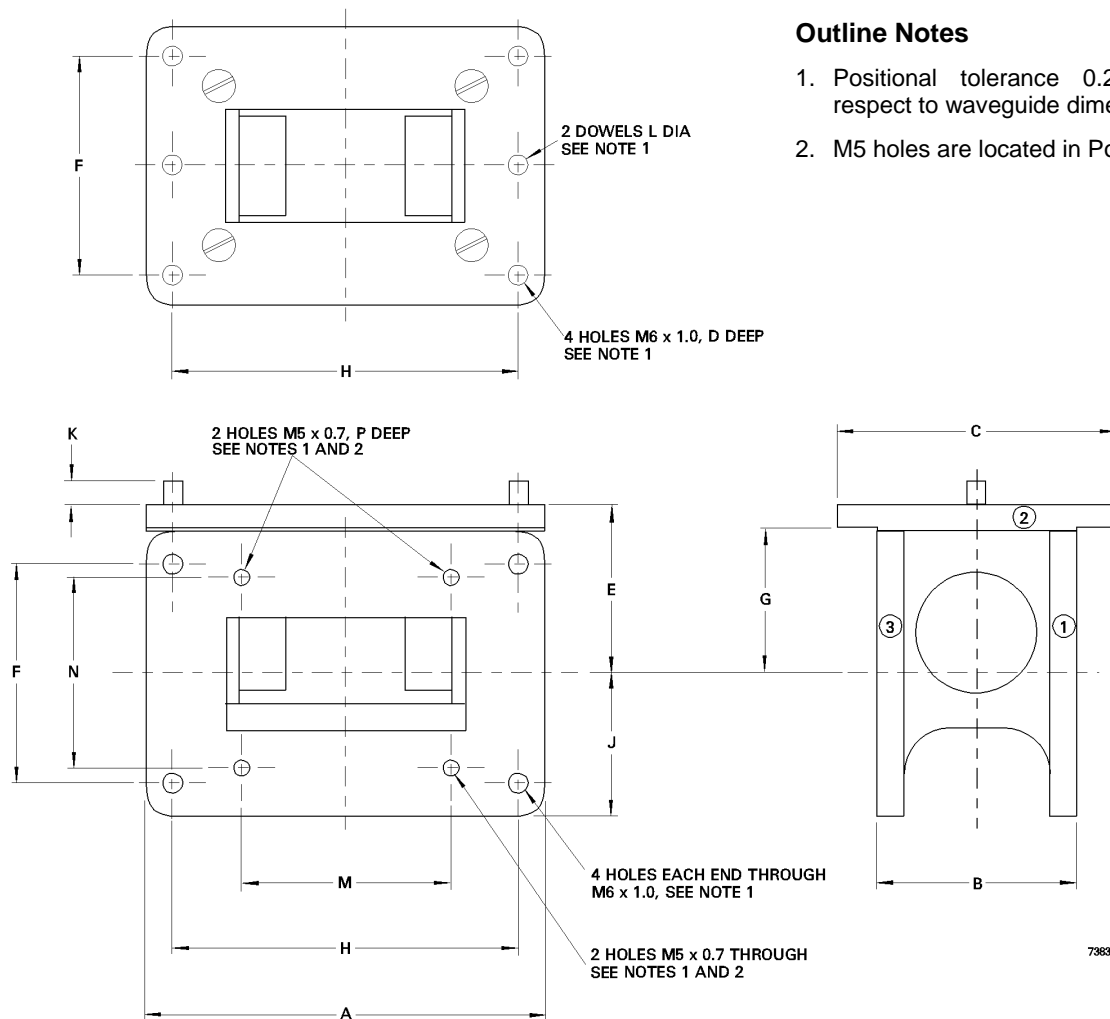
Operating temperature range..... -25 to +80 °C

NOTES

1. Return loss specified over ambient temperature range 10 °C to 30 °C. Other ports terminated with VSWR 1.1:1 maximum.
2. Output port terminated with VSWR 2:1 maximum, isolated port terminated with any VSWR, including full short circuit, in any phase.

OUTLINE

(All dimensions without limits are nominal)



Outline Notes

1. Positional tolerance 0.2 mm diameter with respect to waveguide dimensions.
2. M5 holes are located in Port 3 flange only.

Ref	Millimetres
A	120.0
B	60.0
C	84.0
D	7.7 max 6.2 min
E	51.0
F	65.08
G	44.0 min
H	103.18
J	42.0
K	6.75 + 0.25
L	6.0
M	63.5
N	57.2
P	10.0 min

Whilst e2v technologies has taken care to ensure the accuracy of the information contained herein it accepts no responsibility for the consequences of any use thereof and also reserves the right to change the specification of goods without notice. e2v technologies accepts no liability beyond the set out in its standard conditions of sale in respect of infringement of third party patents arising from the use of tubes or other devices in accordance with information contained herein.